

**EB**

## Any Angle Bimetallic Dial Thermo Meter

### Description

The EB model Any angle Bi-metallic thermo meter is a quick reacting bimetal coil. It is manufactured from two cold-welded metal strips with different thermal expansion coefficients and rotates in proportion to temperature. The rotary movement is conveyed to the pointer with low friction.

A silicon filled version is available as an option for applications which are subjected to strong vibration and gives quick sensing to the bimetal element. At the same time, this will provide good lubrication effect to moving parts which will result in increase of life.

A version with rotating (360°) and pivoting case (90°) allow the thermometer to be aligned as desired under all installation conditions.

### Nominal Sizes

- EB100 and EB150

### Features

- Quick response leads to fast measurement
- Over ranging 1.3 times of FS
- Protection to IP65
- Accuracy class 2.0 as per DIN16203
- Casing, Stainless Steel 304 Standard
- Any angle adjustment with pivot screwing
- Special versions for customer specifications

### Ranges

- -30°C to +50°C to 0°C to 600°C

### Application

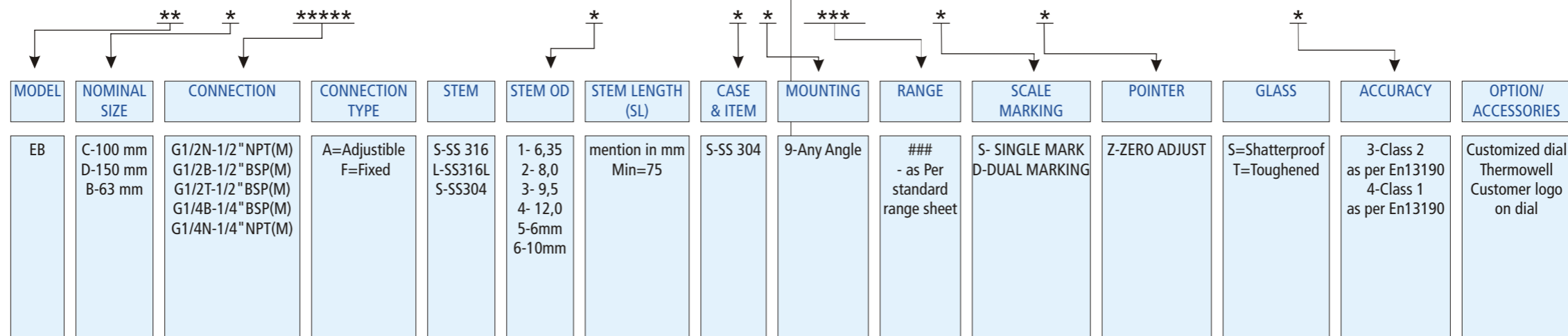
- Petroleum industries
- Thermal / Nuclear / Hydro power stations
- Heating and Ventilation
- Food process industries / Hygienic applications
- Water treatment plants

- Iron and steel industries
- General mechanical engineering industries
- Rubber Molding / Processing plants
- Chemical process industries
- Air-conditioning

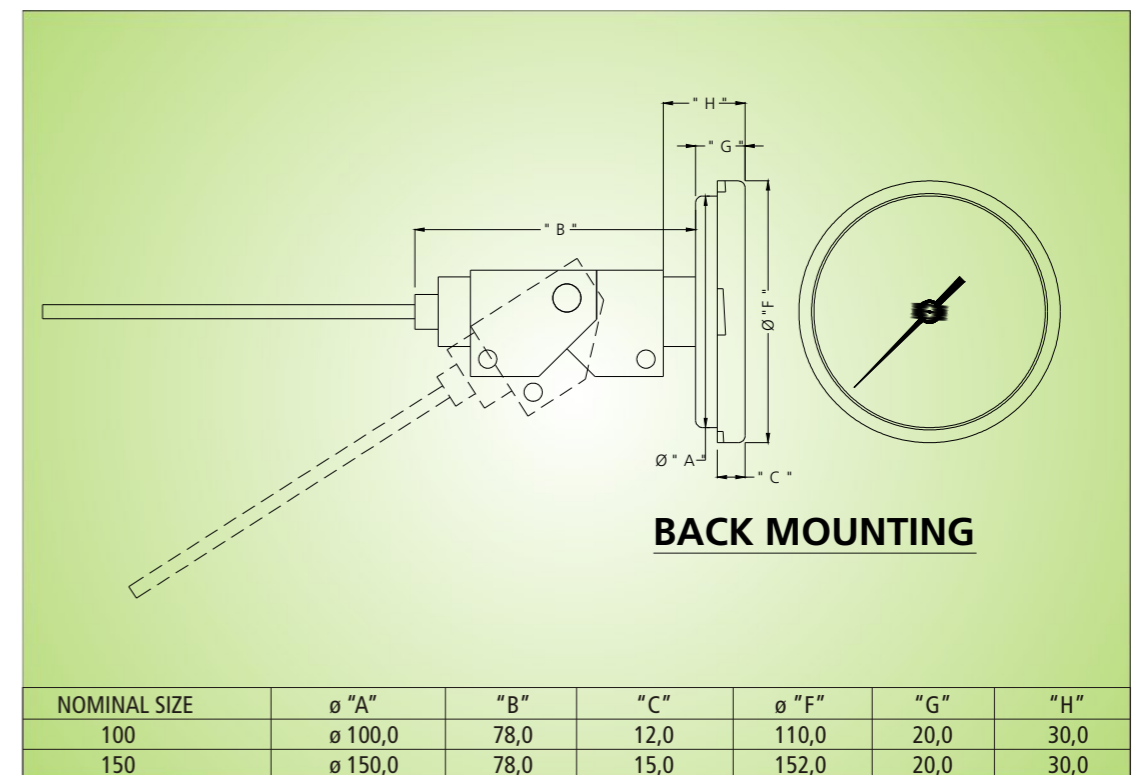
### Mountings

- Any Angle





Temperature range		Stem Length in "mm"					
CODE	Single Scale °C	Min stem Lg 6.35 dia tube	Max stem Lg 6.35 dia tube	Min stem Lg 8,0/9,5 dia tube	Max stem Lg 8,0/9,5 dia tube	Min stem Lg 12,0 dia tube	Max stem Lg 12,0 dia tube
300	-20+40	110,0	450,00	95,0	400,00	65,0	375,00
301	-20+60	85,0	450,00	75,0	400,00	50,0	375,00
302	-20+120	50,0	450,00	45,0	400,00	30,0	375,00
303	-30+30	110,0	450,00	95,0	400,00	65,0	375,00
304	-30+50	85,0	450,00	75,0	400,00	50,0	375,00
305	-30+70	70,0	450,00	60,0	400,00	45,0	375,00
306	0+60	110,0	450,00	95,0	400,00	65,0	375,00
307	0+80	85,0	450,00	75,0	400,00	50,0	375,00
308	0+100	70,0	350,00	60,0	300,00	45,0	300,00
309	0+120	55,0	350,00	50,0	300,00	35,0	300,00
310	0+160	45,0	350,00	40,0	300,00	30,0	300,00
311	0+200	35,0	350,00	30,0	300,00	25,0	300,00
312	0+250	50,0	350,00	45,0	300,00	30,0	300,00
313	0+300	40,0	350,00	35,0	300,00	25,0	300,00
314	0+400	35,0	350,00	30,0	300,00	20,0	300,00
315	0+500	30,0	350,00	25,0	300,00	15,0	300,00



Temperature range		Stem Length in "mm"					
CODE	Single Scale °F/°C	Min stem Lg 6.35 dia tube	Max stem Lg 6.35 dia tube	Min stem Lg 8,0/9,5 dia tube	Max stem Lg 8,0/9,5 dia tube	Min stem Lg 12,0 dia tube	Max stem Lg 12,0 dia tube
316	-2+104/-20+40	110,0	450,00	95,0	400,00	65,0	375,00
317	-2+140/-20+60	85,0	450,00	75,0	400,00	50,0	375,00
318	-2+248/-20+120	50,0	450,00	45,0	400,00	30,0	375,00
319	-20+86/-30+30	110,0	450,00	95,0	400,00	65,0	375,00
320	-20+122/-30+50	85,0	450,00	75,0	400,00	50,0	375,00
321	-20+158/-30+70	70,0	450,00	60,0	400,00	45,0	375,00
322	32+140/0+60	110,0	450,00	95,0	400,00	65,0	375,00
323	32+176/0+80	85,0	450,00	75,0	400,00	50,0	375,00
324	32+212/0+100	70,0	350,00	60,0	300,00	45,0	300,00
325	32+248/0+120	55,0	350,00	50,0	300,00	35,0	300,00
326	32+320/0+160	45,0	350,00	40,0	300,00	30,0	300,00
327	32+392/0+200	35,0	350,00	30,0	300,00	25,0	300,00
328	32+482/0+250	50,0	350,00	45,0	300,00	30,0	300,00
329	32+572/0+300	40,0	350,00	35,0	300,00	25,0	300,00
3303	2+752/00+400	35,0	350,00	30,0	300,00	20,0	300,00
331	32+932/0+500	30,0	350,00	25,0	300,00	15,0	300,00

Note: Other Special Temperature Ranges also can be given on added cost per Range.  
Extra Stem length upto 600mm in any size STEM DIA will be provided at extra cost for every 10mm added on length.

Standard Followed (in general)	:	EN 13190	
Pressure rating of stem	:	Medium - Ambient -	Pmax. +6bar Pmax. +10 bar
Working Pressure:	:	Normal	Measuring range as per EN13190
	:	Short time:	Scale range as per EN13190



[www.forbesmarshall.com](http://www.forbesmarshall.com)

**Forbes Marshall Pvt. Ltd.**  
A-34/35, MIDC, Industrial Estate, 'H' Block, Pimpri, Pune - 411 018. India.  
Tel.: 91(0)20 - 27442020  
Fax: 91(0)20 - 27442040 E-mail: [gsyed@forbesmarshall.com](mailto:gsyed@forbesmarshall.com)

**Domestic:**  
Ahmedabad, Alibag, Bangalore, Bhopal / Indore, Chandigarh, Chennai, Coimbatore, Delhi, Hyderabad, Jamshedpur, Kolkata, Mumbai, Nagpur, Navi Mumbai, Surat, Trichy, Vadodara, Visakhapatanam  
**International Operations:** [exp@forbesmarshall.com](mailto:exp@forbesmarshall.com)  
Bangladesh, Canada, Egypt, Indonesia, Iran, Kenya, Malaysia, Nepal, Sri Lanka, Thailand, U.A.E. (Instrumentation) (Boilers & Boiler Accessories)USA,



**Forbes  
Marshall**  
Trusted Partners.  
Innovative Solutions.