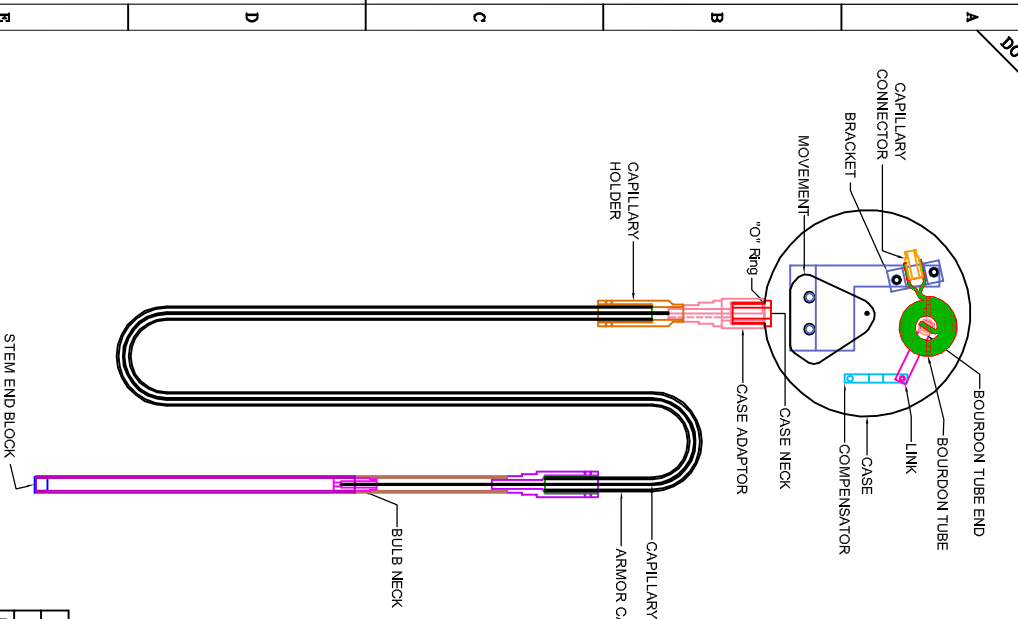
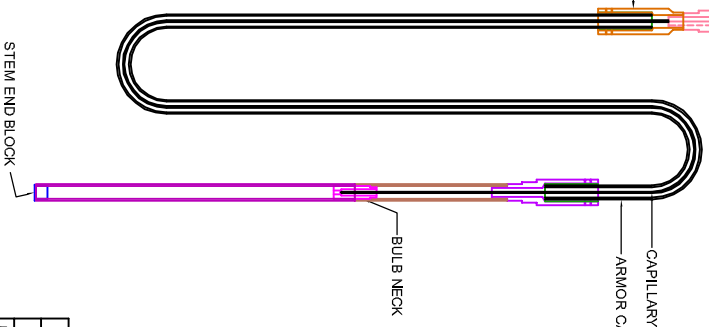


THIS DRAWING AND DESIGN IS THE PROPERTY OF THE FORBES MARSHALL (HYD) LTD. AND MUST NOT BE COPIED OR LENT WITHOUT THEIR PERMISSION IN WRITING.

1 WHERE USED:- XXXXXXXXXXXXXXXX
 2 SUB ASSEMBLY:-
 3 CAT: X PART CODE NO. XXXXXX



OPEN VIEW OF GAUGE



CUSTOMER COMMENTS

Project Name: _____

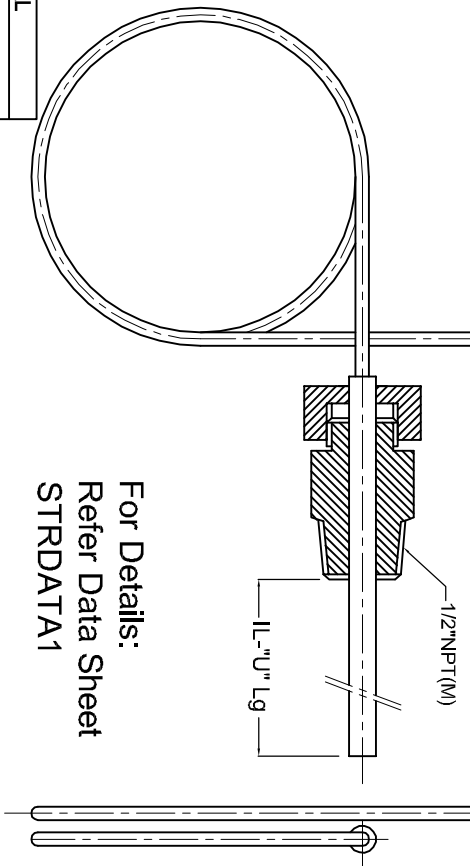
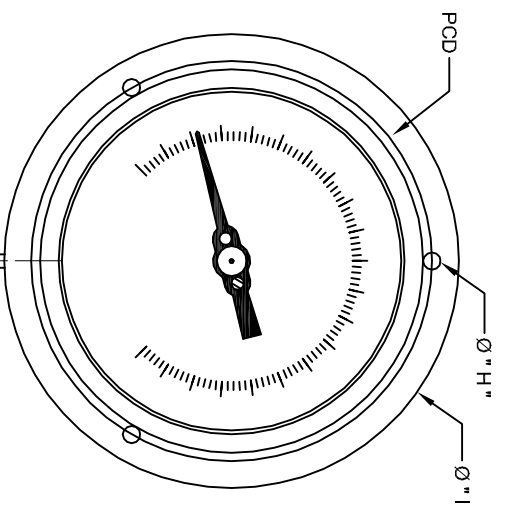
REVISE AND RESUBMIT
 TO BE ISSUED AS FINAL
 PROVIDED COMMENTS ARE INCORPORATED
 NO COMMENT-FINAL ISSUE

SIGN: _____ DATE: _____

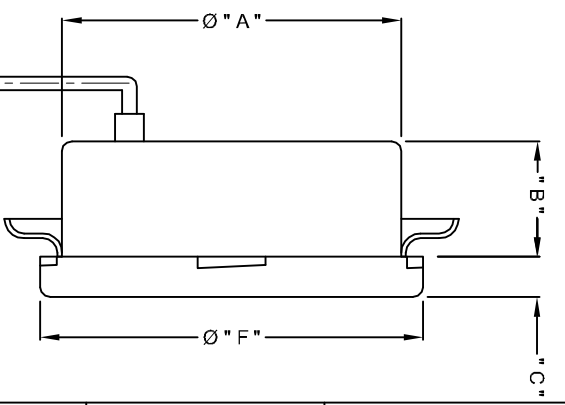
Customer Requisition Number: _____

BILL OF MATERIAL

Socket	SS 316L
Front Ring	SS 304
Bourdon	SS 316L
Case	SS 304
Connection	SS 316-1/2"NPT(M) ADU
Pointer	Micro Adj - Aluminium
Dioid	Aluminium
Enclosure	IP-65
Case filling	Liquid (Silicon)
Stem Dia	Ø10.0 mm
Stem MOC	SS316L
Capillary Lg	5 Meters
Capillary MOC	SS304 armour with PVC
Case Filling	Silicon Oil



For Details:
 Refer Data Sheet
 STRDATA1



MODEL	NOMINAL SIZE	Ø "A"	"B"	"C"	Ø "F"	Ø "H"	Ø "I"	PCD
ST-C	100	Ø100.0	36.0	12.0	110.0	6.0	134.0	118.0

GENERAL TOLERANCES

TOL.	±0.1	±0.2	±0.3	±0.5	±0.8
UP TO	6	30	120	315	1000
ABOVE	0	6	30	120	315

DO NOT SCALE THE DRAWING
 ALL DIMENSIONS ARE IN mm.
 UNLESS OTHERWISE STATED.
 REMOVE SHARP EDGES.
 TAPPED HOLES CHAMFER TO FIRST THREAD x 45°

Forbes Marshall
FORBES MARSHALL (HYD) PVT. LTD.,
 PLOT NO: A 19/2, I.D.A., NAGCHARAM,
 HYDERABAD, INDIA

TEMPERATURE GAUGE
 (GAS FILLED VERSION)
 REMOTE MOUNTING

MATERIAL AS PER BOM
 SHT. 1 OF 1
 DRG. NO. ST+CAP
 SCALE=N.T.S
 REV. NO. 1

— 2nd FOLD

— 1st FOLD

ZZZ