

# FMTD76-M

## Forbes Marshall Thermodynamic Trap

### Description

The Forbes Marshall Thermodynamic Trap, FMTD76-M, is a maintainable high pressure thermodynamic steam trap with integral strainers and a replaceable seat to ease maintenance. It has been specifically designed for main drainage application up to 900 Psig. An insulating cover is fitted as standard to prevent the trap being unduly influenced by excessive heat loss when subjected to low outside temperature, wind, rain etc.

### Size and Pipe Connections

1/2" and 3/4"  
BSPT/NPT and socket weldable ends

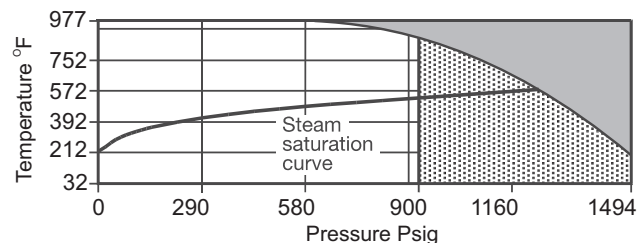
### Notes



Available with ASA Class 150, 300 and 600 weld on flanges on request

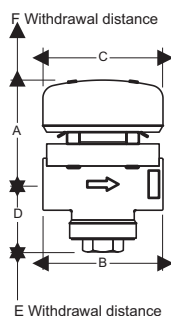
### Limiting Conditions

Body designed conditions	ANSI 600
PMA Max. Allowable pressure	1494 Psig @ 200°F
TMA Max. allowable temperature	977°F @ 619 Psig
Minimum allowable temperature	32°F
PMO Maximum operating pressure for steam service	900 Psig @ 900°F
PMOB Maximum operating backpressure	80% of steam pressure
Minimum operating pressure	20 Psig
Designed for a maximum cold hydraulic test pressure of	1798 Psig

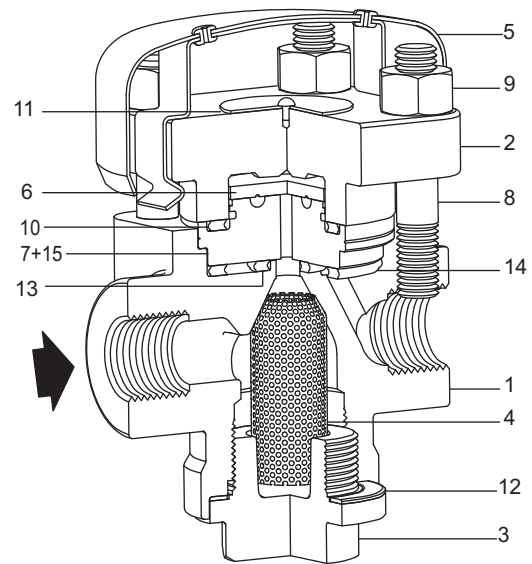
### Operating Range



 The product must not be used in this region.  
 The product should not be used in this region or beyond its operating range as damage to the internals may occur.



**Note:** Material specification mentioned in bracket are for reference only.



### Material

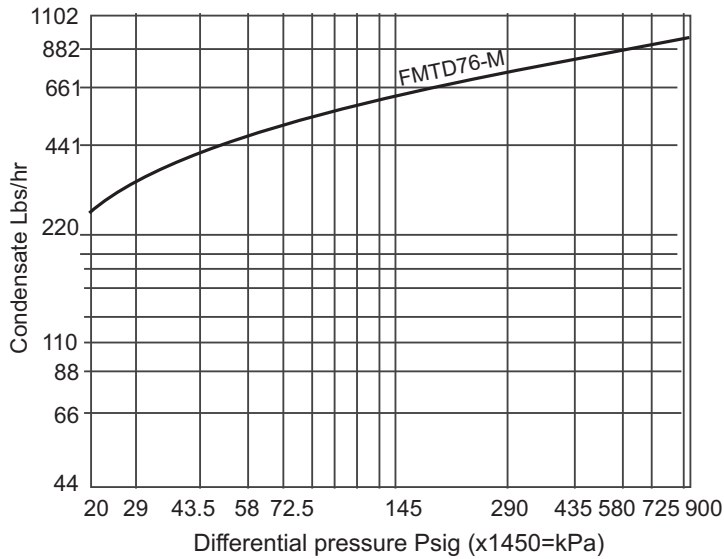
No	Part	Material	Standard
1	Body	Steel	ASTMA 217 Gr. WC6
2	Cover	Steel	ASTMA 217 Gr. WC6
3	Strainer cap	Steel	ASTMA 217 Gr. WC6
4	Strainer screen	Stainless Steel	ASTM 240 Gr. 316
5	Insulating cover	Aluminum	
6	Disc	Chromium Steel	BS 4659 Gr. BD 2 (ASTMA 681)
7	Seat	Chromium Steel	BS 4659 Gr. BD 2 (ASTMA 681)
8	Cover studs	Steel	ASTM A 193 Gr. B16
9	Cover nuts	Steel	ASTMA 194 Gr. 8
10	Cover gasket	Spiral wound SS with exfoliated graphite	(ASME B 16.20)
11	Name plate	Stainless steel	
12	Strainer cap gasket	Reinforced exfoliated graphite	(ASTM F 104)
13	Inner seat gasket	Spiral wound SS with exfoliated graphite	(ASME B 16.20)
14	Outer seat gasket	Spiral wound SS with exfoliated graphite	(ASME B 16.20)
15	Ferrule	Stainless steel	

**Note :** Item 15 (ferrule) is pressed into item 7 (seat)

### Dimensions (approx. in Inches)

Size	A	B	C	D	E	F	Wt. (Lbs)
1/2	3.1	3.6	3.6	2.0	0.8	2.0	4.6
3/4	3.1	3.6	3.6	2.0	0.8	2.0	4.6

### Capacity Chart



### Installation

Preferably install in horizontal pipeline with insulating cover uppermost although it can be fitted in other positions.

After 24 hours in service the cover nuts should be checked for tightness. Separate installation and maintenance instruction give full details.

### How To Order

**Example :** 1/2" Forbes Marshall thermodynamic trap FMTD76-M with integral strainer with NPT connections.

### Recommended Tightening Torques

Item no	Or Inches	Ft-Lbsf
3	1 1/4	105-116
8	3/8x1/16	15-18
9	11/16	33-37

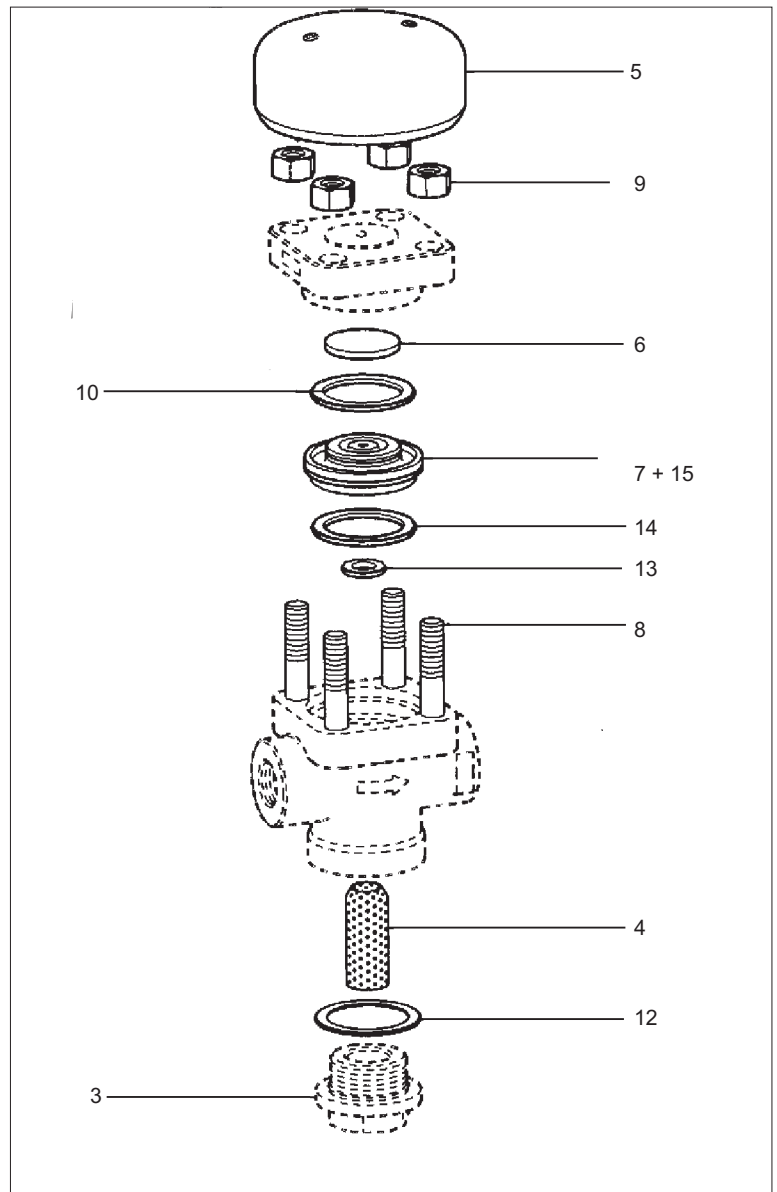
### Spare parts

The spare parts available are shown in solid outline. Parts drawn in broken line are not supplied as spares.

### How to Order Spares

Always order spares by using the description given in the column headed "Available Spares".

**Example :** Strainer for Forbes Marshall thermodynamic trap FMTD76-M.



### Available Spares

Insulating cover	5
Set of cover studs and nuts (set of 4)	8, 9
Seat and disc assembly	6,7,10,13,14,15
Strainer screen	4
Set of gaskets (packet of 3 sets)	10,12,13,14
Strainer cap gasket (3 off)	12



Forbes Marshall  
Krohne Marshall  
Forbes Marshall Arca  
Codel International  
Forbes Solar  
Forbes Vyncke  
Forbes Marshall Steam Systems

Forbes Marshall USA (FM USA Inc.)  
480 South California Avenue, Unit 102  
Palo Alto, CA 94306  
P: 650-327-4227  
F: 650-327-4127

Email : [fm.northamerica@forbesmarshall.com](mailto:fm.northamerica@forbesmarshall.com)

All contents herein are the property of Forbes Marshall Private Limited ("FMPL") or Forbes Marshall Steam Systems Private Limited ("FMSSPL"), as the case may be, and having protection under the intellectual property rights. Any reproduction, distribution or disclosure without prior written permission is prohibited. Information in this document is subject to change without notice.

Forbes Marshall Canada Inc.  
2425 Matheson Blvd East, 8th Floor  
Mississauga, ON L4W 5K4  
P: 905-361-2880  
F: 905-361-6401

Forbes Marshall Pvt. Ltd.  
B-85, Phase II, Chakan Indl.  
Area, Sawardari,  
Chakan, Tal. Khed.  
Dist. Pune - 410 501, India  
Tel. 91(0)2135-393400  
[www.forbesmarshall.com](http://www.forbesmarshall.com)