

IMPROVED FMSEP34

Forbes Marshall Moisture Separator – Cast Iron

Description

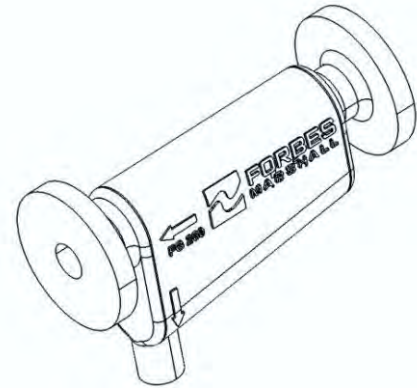
The Forbes Marshall Improved Moisture Separator Improved FMSEP34 (flanged) is a cast iron baffle type separator used for the removal of entrained liquids in steam, so that they can be drained away as condensate.

Size and End Connections

Flanged DN 25, 40, 50, 65, 80, 100, 125, 150, 200 and 250

Note: Available with IBR test certificates on request.

Optional insulation jackets are available that will increase the performance of the separator..



Limiting Conditions (DN 25-250)

Max. Operating pressure	13 bar g at 220°C
Max. Operating temperature	220 °C at 13 bar g
Min. Operating Temperature	0°C
Cold hydraulic test pressure	20 bar g

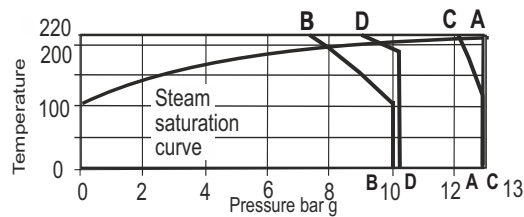
Installation

The Improved FMSEP34 is installed on a horizontal pipeline with the drain directly below.

Note: To ensure that any separated liquid is drained away quickly, a suitable steam trap must be connected to the drain connection. Consult Forbes Marshall for further details.

Operating Range

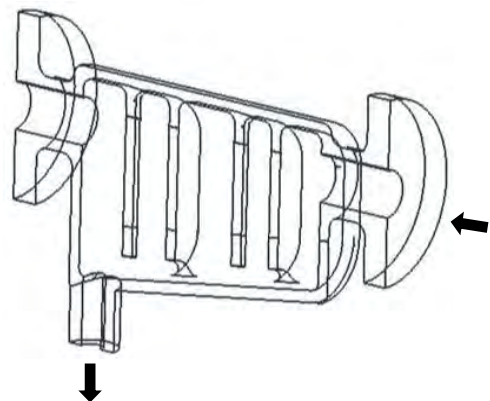
For Improved FMSEP34-E



A-A BS10 Table F C-C PN 16
B-B PN 10 D-D Flanged ANSI 150

Material (FMSEP34-E)

No	Part	Material	Standard
1	Body	Cast Iron	IS 210 Gr. FG 260 (ASTM A 48, Cl. 35)



Limiting Conditions (DN 25 - 250)

Flange Types	Max. Working Pressure	Max. Working Temp.
BS10 TAB F	13 bar g at 220 °C	220 °C at 13 bar g
PN 10	10 bar g at 100 °C	220 °C at 7 bar g
PN 16	13 bar g at 180 °C	220 °C at 11 bar g
ASA 125/150	10.1 bar g at 180 °C	220 °C at 9 bar g

Dimensions (approx. in mm) for FMSEP34-E DN 25-250

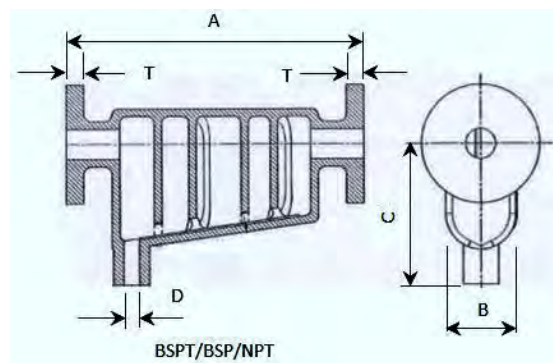
Size DN	Dimensions				Flange Connections				Weight Kg
	A	B	C	D	TAB F	CLASS 125/150	PN 10	PN16	
25	280	70	98	¾"	A	A	A	NA	11.40
40	368	89	111	¾"	A	A	A	NA	16.17
50	457	121	146	1"	A	A	A	A	25.40
65	405	146	170	¾"	A	A	A	A	31.50
80	483	152	175	1"	A	A	A	NA	41.60
100	692	197	238	1"	A	A	A	NA	74.00
125	705	354	233	1"	A	A	A	A	140.40
150	706	375	232	1"	A	A	A	A	145.69
200	762	416	305	1½"	A	A	A	NA	210.74
250	822	472	382	1½"	A	A	A	NA	297.80

A-Available
NA-Not Available

FMSEP34-E Flange Thickness "T" (mm)				
SIZE	BS10 TAB 'F'	CLASS 125/150	PN10	PN16
25	25.5	25.5	25.5	NA
40	15.9	14.3/15.9	18	NA
50	19	15.9/17.5	19	19
65	24	24	24	24
80	19.1	19.1	20	NA
100	22.2	24	22	NA
125	25.5	25.5	25.5	25.5
150	27	27	27	27
200	29	29	29	NA
250	30	30	30	NA

How to Order

Example: DN 40 IMPROVED FMSEP34 Moisture Separator,
Flanged ANSI Class 150, IBR



www.forbesmarshall.com

Forbes Marshall Arca

Codel International

Krohne Marshall

Forbes Vyncke

Forbes Marshall Steam Systems

A: Forbes Marshall Pvt. Ltd.
Opp. 106th Milestone, CTS 2220,
Mumbai-Pune Road, Kasarwadi,
Pune MH 411034 INDIA

P: +91(0)20-68138555

F: +91(0)20-68138402

E: ccmidc@forbesmarshall.com

© All rights reserved. Any reproduction or distribution in part or as a whole without written permission of Forbes Marshall Pvt Ltd, its associate companies or its subsidiaries ("FM Group") is prohibited.

Information, designs or specifications in this document are subject to change without notice. Responsibility for suitability, selection, installation, use, operation or maintenance of the product(s) rests solely with the purchaser and/or user. The contents of this document are presented for informational purposes only. FM Group disclaims liabilities or losses that may be incurred as a consequence of the use of this information.

Forbes Marshall International Pte. Ltd.

16A, Tuas Avenue 1,
#05-21, JTC Space @Tuas
Singapore - 639533

P: +65 6219 3890

CIN No: U28996PN1985PTC037806