

FMSEP54

Forbes Marshall Moisture Separator - Cast Steel

Description

The Forbes Marshall Moisture Separator, FMSEP54, is a carbon steel baffle type separator used for the removal of entrained liquids in steam, so that they can be drained away as condensate.

Sizes and Connections

Sizes: DN 25, 40, 50, 65, 80, 100, 125, 150 and 200

Flange Connections

BS 10 Table F, H, J, K, ASME B 16.5
Class 150, 300, PN 10, 16, 25 and 40

Notes : Available with IBR test certificates, on request.

Optional insulation packs are available that will increase the performance of the separator.

Limiting Conditions

Body design condition	32 bar g at 425 °C
Cold hydraulic test pressure	1.5 Times Max operating Pressure
Min. Operating temperature	-10°C

Flange Types	Max. Operating Pressure	Max. Operating Temp.
TAB 'F'	21 bar g at 232 °C	425 °C at 10.5 bar g
TAB 'H'	32 bar g at 232 °C	425 °C at 17 bar g
TAB 'J'	32 bar g at 232 °C	425 °C at 24 bar g
TAB 'K'	32 bar g at 232 °C	425 °C at 31 bar g
CLASS 150	19.6 bar g at 38 °C	425 °C at 5.5 bar g
CLASS 300	51.1 bar g at 38 °C	425 °C at 28.8 bar g
PN 10	10 bar g at 200 °C	425 °C at 5.65 bar g
PN 16	16 bar g at 200 °C	425 °C at 9.1 bar g
PN 25	25 bar g at 200 °C	425 °C at 14.25 bar g
PN 40	40 bar g at 200 °C	425 °C at 22.8 bar g

How to Order

Example: 1 no. DN 40 Forbes Marshall Moisture Separator
C.S. FMSEP54 Flanged BS 10 Table "K" IBR

Installation

Install in a horizontal pipeline with the drain directly below.

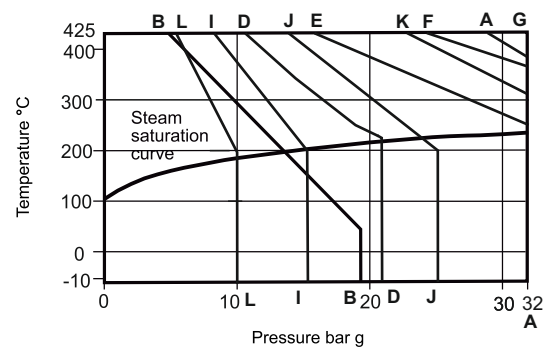
Note: To ensure that any separated liquid is drained away quickly, a suitable steam trap must be connected to the drain connection. Consult Forbes Marshall for further details.

Dimensions: (approx.) in mm

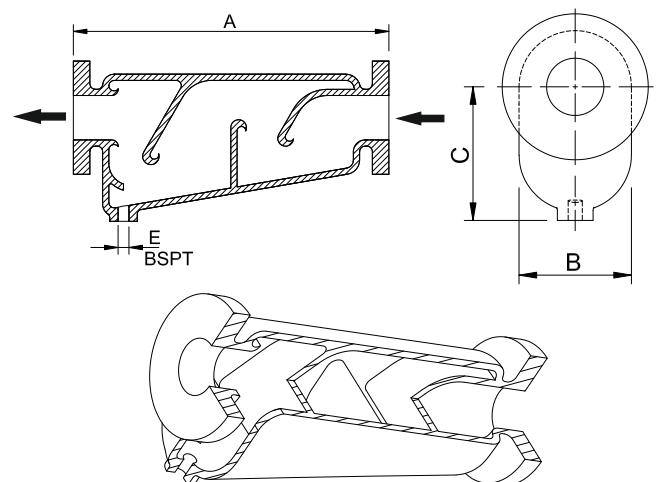
Sizes DN	Dimensions			Weight	Kg
	A	B	C	E	
25	280	70	100	20	14
40	390	89	111	20	22
50	472	120.5	146	25	32
65	405	146	171	20	40
80	510	152.4	174	25	69
100	720	200	238	25	114
125	705	354	233	25	184
150	720	375	232	25	200
200	762	416	308	40	300

General Tolerance: ±3

Operating Range



A-A	Flanged ANSI 300	G-A	BS10 Table K
B-B	Flanged ANSI 150	L-L	PN 10
D-D	BS10 Table F	I-I	PN 16
E-A	BS10 Table H	J-J	PN 25
F-A	BS10 Table J	K-A	PN 40





www.forbesmarshall.com

Forbes Marshall Arca

Codel International

Krohne Marshall

Forbes Vyncke

Forbes Marshall Steam Systems

A: Forbes Marshall Pvt. Ltd.
Opp. 106th Milestone, CTS 2220,
Mumbai-Pune Road, Kasarwadi,
Pune MH 411034 INDIA

P: +91(0)20-68138555

F: +91(0)20-68138402

E: ccmidc@forbesmarshall.com

© All rights reserved. Any reproduction or distribution in part or as a whole without written permission of Forbes Marshall Pvt Ltd, its associate companies or its subsidiaries ("FM Group") is prohibited. Information, designs or specifications in this document are subject to change without notice. Responsibility for suitability, selection, installation, use, operation or maintenance of the product(s) rests solely with the purchaser and/or user. The contents of this document are presented for informational purposes only. FM Group disclaims liabilities or losses that may be incurred as a consequence of the use of this information.

Forbes Marshall International Pte. Ltd.
16A, Tuas Avenue 1,
#05-21, JTC Space @Tuas
Singapore - 639533

P: +65 6219 3890

CIN No: U28996PN1985PTC037806