

# FMSEPF8

## Forbes Marshall Moisture Separator - Fabricated

### Description

The Forbes Marshall Moisture Separator - Fabricated, FMSEPF8 is a fabricated type separator used for the removal of entrained liquids in steam, so that they can be drained away as condensate.

### Sizes

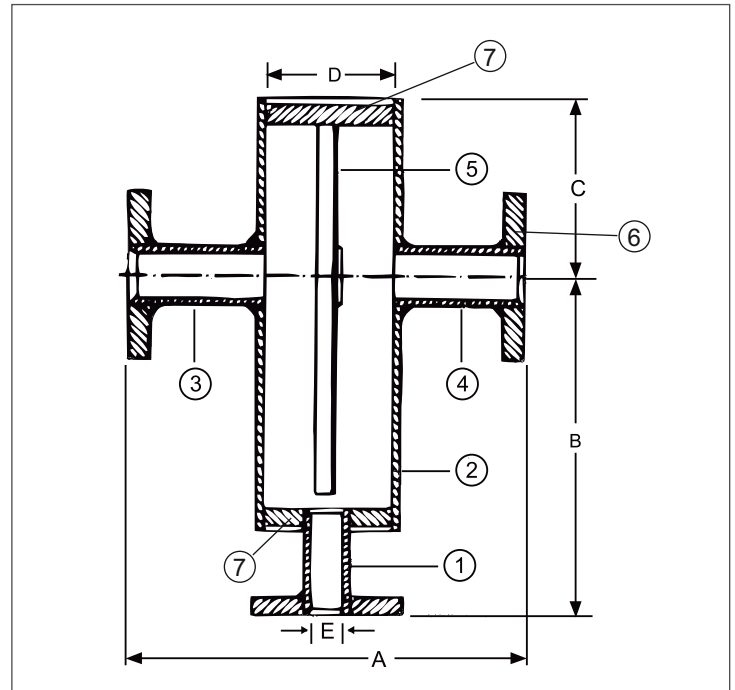
DN 15, 20, 25, 40, 50, 65, 80, 100, 125, 150, 200, 250 and 300

**Note:** Available with IBR test certificates, on request.

### Limiting Conditions

Flange types	Max. Operating pressure	Max. Operating temp.
TAB 'H'	34 bar g at 232 °C	425 °C at 17 bar g
TAB 'J'	48 bar g at 232 °C	425 °C at 24 bar g
TAB 'K'	62 bar g at 232 °C	425 °C at 31 bar g
ASA 150	19.6 bar g at 38 °C	425 °C at 5.5 bar g
ASA 300	42 bar g at 250 °C	425 °C at 28.8 bar g
ASA 600	77 bar g at 325 °C	425 °C at 57.5 bar g
PN 16	16 bar g at 200 °C	425 °C at 9.1 bar g
PN 25	25 bar g at 200 °C	425 °C at 14.25 bar g
PN 40	40 bar g at 200 °C	425 °C at 22.8 bar g

MINIMUM WORKING TEMPERATURE = 0°C

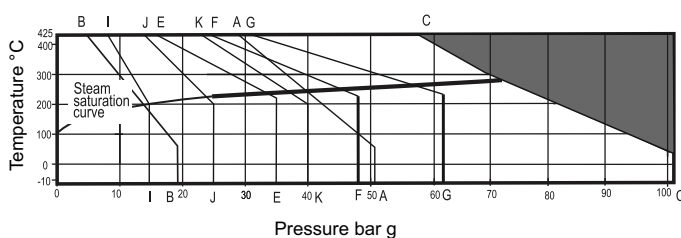


### Materials

Sr. No.	Part	Standard
1	Drain	ASTM A106 Gr B
2	Body	ASTM A106 Gr B
3	Inlet	ASTM A106 Gr B
4	Outlet	ASTM A106 Gr B
5	Baffle Plate	SA 516 Gr.70
6	Flange	SA 516 Gr.70 or A105
7	End Plate	SA 516 Gr.70 or A105

### Operating range

Pressure / temperature limits



■ This product must not be used in this region.

A-A	Flanged ANSI 300	G-G	BS10 Table K
B-B	Flanged ANSI 150	I-I	PN16
C-C	Flanged ANSI 600	J-J	PN25
E-E	BS10 Table H	K-K	PN40
F-F	BS10 Table J		

### Installation

Install in a horizontal pipeline with the drain directly below.

**Note:** To ensure that any separated liquid is drained away quickly, a suitable steam trap must be connected to the drain connection. Consult Forbes Marshall for further details.

## Dimensions (approx.) in mm

Sizes (DN)	A	B	C	D	E Nominal	NET WT kg
15	216	203	100	80	15	5
20	241	203	143	80	15	6
25	368	295	149	100	25	11
40	318	276	149	100	25	12
50	470	355	222	150	25	26
65	470	387	225	150	25	29
80	470	477	238	150	25	35
100	575	515	279	200	25	57
125	673	619	346	250	25	100
150	749	775	394	300	25	166
200	870	841	517	400	25	282
250	900	912	610	400	25	336
300	929	960	660	450	25	451

General tolerance  $\pm 2\%$

## How to Order

**Example:** 1 No. DN100 Forbes Marshall Moisture Separator - Fabricated FMSEPF B. Flanged BS10 table K.



[www.forbesmarshall.com](http://www.forbesmarshall.com)

Forbes Marshall Arca

Codel International

Krohne Marshall

Forbes Vyncke

Forbes Marshall Steam Systems

**A: Forbes Marshall Pvt. Ltd.**  
Opp. 106th Milestone, CTS 2220,  
Mumbai-Pune Road, Kasarwadi,  
Pune MH 411034 INDIA

**P:** +91(0)20-68138555

**F:** +91(0)20-68138402

**E:** [ccmidc@forbesmarshall.com](mailto:ccmidc@forbesmarshall.com)

© All rights reserved. Any reproduction or distribution in part or as a whole without written permission of Forbes Marshall Pvt Ltd, its associate companies or its subsidiaries ("FM Group") is prohibited.

Information, designs or specifications in this document are subject to change without notice. Responsibility for suitability, selection, installation, use, operation or maintenance of the product(s) rests solely with the purchaser and/or user. The contents of this document are presented for informational purposes only. FM Group disclaims liabilities or losses that may be incurred as a consequence of the use of this information.

**Forbes Marshall International Pte. Ltd.**

16A, Tuas Avenue 1,  
#05-21, JTC Space @Tuas  
Singapore - 639533

**P:** +65 6219 3890

**CIN No:** U28996PN1985PTC037806

DOC# FMSS/0824/TIS-FMSEPF B/R2