

FMSTR31

Forbes Marshall Cast Strainer

Description

The Forbes Marshall Cast Strainer FMSTR31 is available in cast iron with stainless steel screen having 0.8mm dia. perforations as standard in screwed end connections.

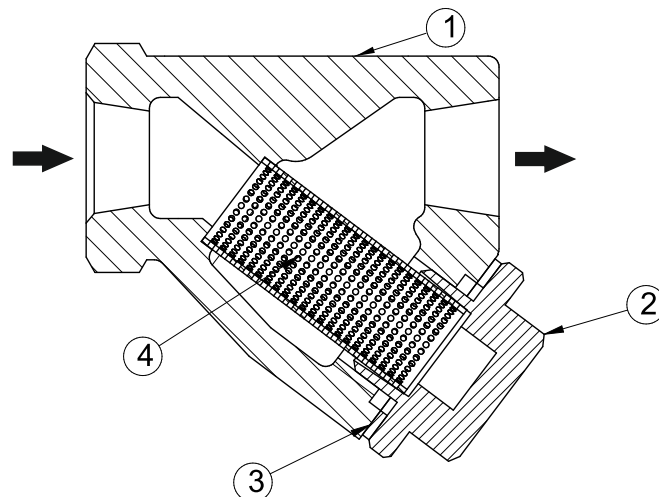
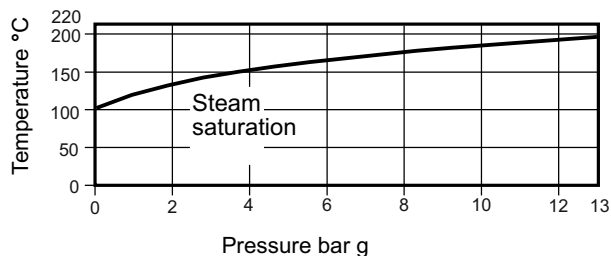
Available Sizes and Pipe Connections

DN 15,20, 25, 40 and 50
Screwed BSPT/NPT/BSP
Available with IBR certificate on request
(all except DN 50)

Limiting Conditions

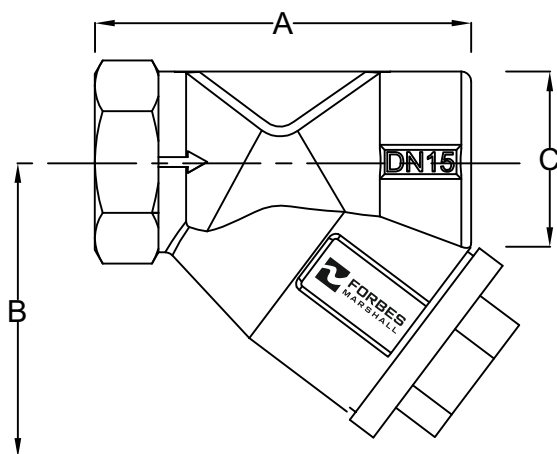
PMO Maximum operating pressure	13 bar g
TMO Maximum operating temperature	220 °C
Cold hydraulic test pressure	20 bar g
Min. Operating temperature	0°C

Operating Range



Material

No	Part	Material	Standard
1	Body	Cast Iron	S 210 Gr. FG 260
2	Cap DN15,20 and 25	Cast Steel	ASTM A 216 Gr. WCB
		DN 40 and 50	Forged steel ASTM A 105
3	Gasket DN15,20 ,25,40 and 50	Reinforced ex- foliated graphite	
4	Screen	Stainless steel	ASTM A 240 Type 304



Dimensions : (Approx) mm

Size DN	A	B	C	Weight
15	73	53	35	2 kg
20	90	65	40	2 kg
25	105	75	47	3 kg
40	154	125	66	7 kg
50	188	150	80	9 kg

GEN. TOL ± 3.0

Installation

The strainer should be installed in the direction of flow, as indicated on the body. On applications involving steam or gases the pocket should be in the horizontal plane. On liquid systems the pocket should point downwards. Suitable isolation valves must be installed to allow for safe maintenance and trap replacement.

Maintenance

Maintenance can be completed with the strainer in the pipeline.

How to Order

Example : 1 No. DN 40 Forbes Marshall Cast Strainer FMSTR31, screwed BSPT IBR

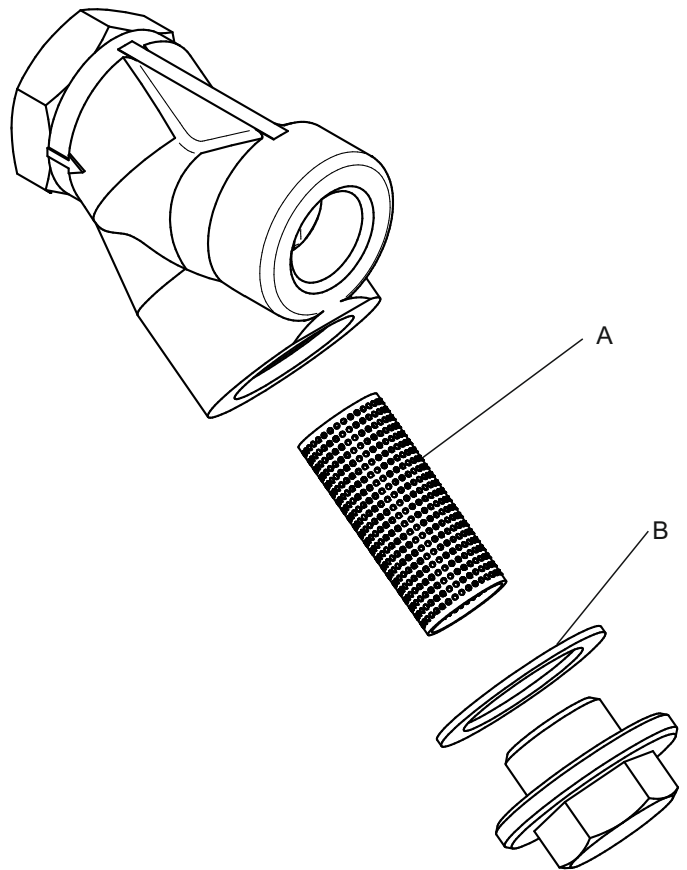
Recommended Tightening Torques

Size (DN)	Torque (Nm) For Cap
15	38-40
20	42-48
25	70-80
40	170-185
50	190-210

The spare parts available are shown, in the figure alongside, in heavy outline. Parts drawn in broken line are not supported as spares.

Available Spares

Strainer screen A+B



How to Order Spares

Always order spares by using the description given in the column headed Available spares and stating the size and type of strainer where perforation or mesh required .

Example: 1 No. strainer screen, stainless steel 304, 0.8mm perforation and gasket for DN40 Forbes Marshall Cast Strainer FMSTR31.

Screen Details

Fitted as standard with SS 304 screen having perforation of 0.8mm dia and other perforations are available to special order.



www.forbesmarshall.com

Forbes Marshall Arca

Codel International

Krohne Marshall

Forbes Vyncke

Forbes Marshall Steam Systems

A: Forbes Marshall Pvt. Ltd.

Opp. 106th Milestone, CTS 2220,
Mumbai-Pune Road, Kasarwadi,
Pune MH 411034 INDIA

P: +91(0)20-68138555

F: +91(0)20-68138402

E: ccmidc@forbesmarshall.com

Forbes Marshall International Pte. Ltd.

16A, Tuas Avenue 1,
#05-21, JTC Space @Tuas
Singapore - 639533

P: +65 6219 3890

CIN No: U28996PN1985PTC037806

© All rights reserved. Any reproduction or distribution in part or as a whole without written permission of Forbes Marshall Pvt Ltd, its associate companies or its subsidiaries ("FM Group") is prohibited. Information, designs or specifications in this document are subject to change without notice. Responsibility for suitability, selection, installation, use, operation or maintenance of the product(s) rests solely with the purchaser and/or user. The contents of this document are presented for informational purposes only. FM Group disclaims liabilities or losses that may be incurred as a consequence of the use of this information.