

FMSTR54-T

Forbes Marshall Cast Strainer

Description

The Forbes Marshall Cast Strainer, FMSTR54-T has a strainer cap / flange fitted with through bolts and nuts and is available in cast steel with screen having 0.8mm dia perforation as standard upto DN 125 size.

Sizes DN 150 and above are available with 20 mesh lined perforated screen as standard.

Size and Pipe connections

DN50, 65, 80, 100, 125, 150, 200, 250 and 300

Note : Also available with IBR certificate on request

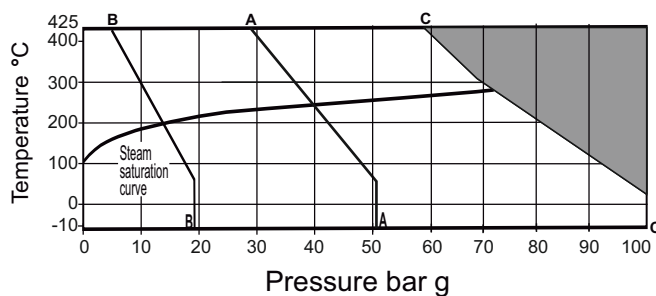
Limiting Conditions

Flange Type	Max Operating Pressure(bar g)	Max Operating Temperature (Deg C)
Class 150	13	220
Class 300	28.8	425
Class 600	57.5	425

Min. working temperature : 0 °C

Cold Hydraulic Test Pressure: 1.5 times operating Pressure

Operating Range:

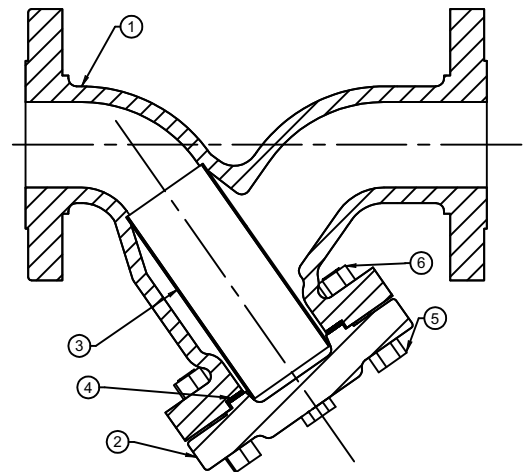


■ This product **must not** be used in this region.

A-A Flanged ANSI 300

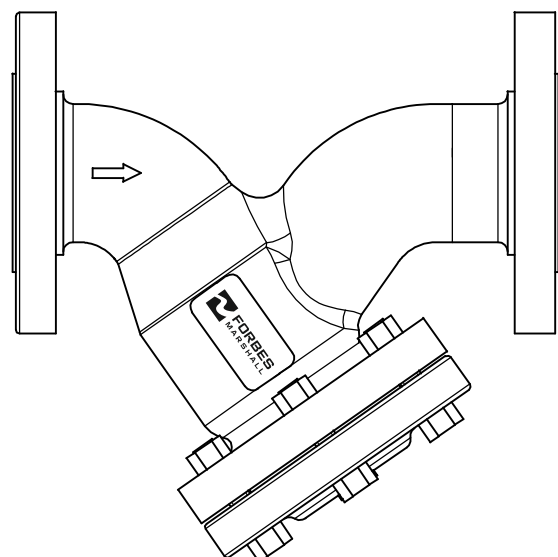
B-B Flanged ANSI 150

C-C Flanged ANSI 600



Material

Sr. No.	Part	Material	Standard
1	Body	Cast Steel	ASTM A 216 Gr. WCB
2	Cap	Cast Steel	ASTM A 216 Gr. WCB
3	Screen	Stainless Steel	ASTM A 240 Gr. 304
4	Gasket	Spiral Wound gasket	SS 304 + graphite
5	Bolt	Carbon Steel	ASTM A 193 Gr. B7
6	Nut	Carbon Steel	ASTM A 194 Gr 2H



Available spares (refer fig. alongside)

Screen	A
Gaskets	B

How to Order Spares

Always order spares by using the description given in the column headed "Available Spares" in user manual

How to Order

Example : 1 No. DN 50 Forbes Marshall cast steel strainer, FMSTR54-T class 150 IBR

Screen Details

SS Screen having 0.8mm dia perforation as standard up to DN 125 size.

Size DN 150 and above are available with 20 mesh lined perforated screen as standard.

40,60,100 mesh screen are available on special request.

Installation

The strainer should be installed in the direction of flow, as indicated on the body. On applications involving steam or gases the pocket should be in the horizontal plane. On liquid systems the pocket should point downwards. Suitable isolation valves must be installed to allow for safe maintenance.

Maintenance note

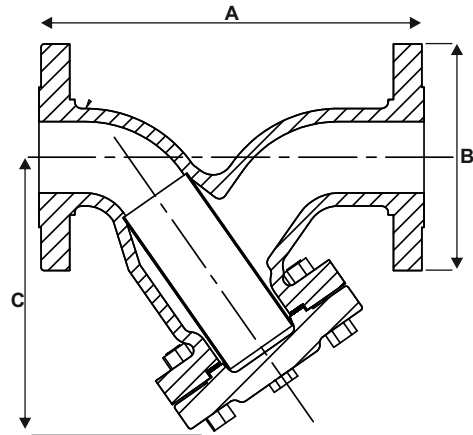
Maintenance can be completed with the strainer in the pipeline.

Dimensions (approx.) in mm

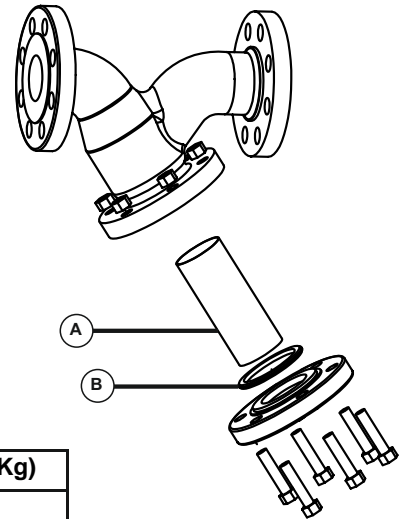
DIM	A	A	B			C	C	W(Kg)	W(Kg)
SIZE	Class 150	Class 600	ANSI			Class 150	Class 600	Class 150	Class 600
DN	Class 300		150	300	600	Class 300		Class 300	
50	276	274	152.4	165.1	165.1	204	211	17	20
65	317	317	177.8	190.5	190.5	234	245	26	30
80	350	347	190.5	209.5	210	258	276	36	41
100	423	422	228.6	254	273.1	326	339	57	71
125	465	468	254	279.4	330.2	385	399	72	108
150	593	589	279.4	317.5	356	481	494	133	164
200	766	766	343	381	419.1	672	672	302	315
250	895	891	406.4	444.5	508	757	866	370	574
300	1043	1042	482.6	520.7	558.8	985	1024	576	857

Servicing

With suitable isolation repairs can be carried out online. Dismantle bolted joint and remove strainer cap to remove muck and clean the screen thoroughly. Fit the screen carefully and fit cap with new gasket. Tighten nuts uniformly. Open up the isolation valve to check for gasket leakage if any and tighten if required.



Exploded view



www.forbesmarshall.com

Forbes Marshall Arca

Codel International

Krohne Marshall

Forbes Vyncke

Forbes Marshall Steam Systems

A: Forbes Marshall Pvt. Ltd.
Opp. 106th Milestone, CTS 2220,
Mumbai-Pune Road, Kasarwadi,
Pune MH 411034 INDIA
P: +91(0)20-68138555
F: +91(0)20-68138402

E: ccmidc@forbesmarshall.com

© All rights reserved. Any reproduction or distribution in part or as a whole without written permission of Forbes Marshall Pvt Ltd, its associate companies or its subsidiaries ("FM Group") is prohibited.

Information, designs or specifications in this document are subject to change without notice. Responsibility for suitability, selection, installation, use, operation or maintenance of the product(s) rests solely with the purchaser and/or user. The contents of this document are presented for informational purposes only. FM Group disclaims liabilities or losses that may be incurred as a consequence of the use of this information.

Forbes Marshall International Pte. Ltd.
16A, Tuas Avenue 1,
#05-21, JTC Space @Tuas
Singapore - 639533
P: +65 6219 3890

CIN No: U28996PN1985PTC037806