

Single Orifice Float Trap SOFT31 Modules

With View Glass & Disc Check Valve

Description

The Forbes Marshall Single Orifice Float Trap Module Model SOFT31, available as Standard with View Glass Model VU30 / VU10, with Strainer Model FMSTR31, Disc Check Valve Model FMDCVA & FM Piston Type Stop Valves ready to install for better Performance.

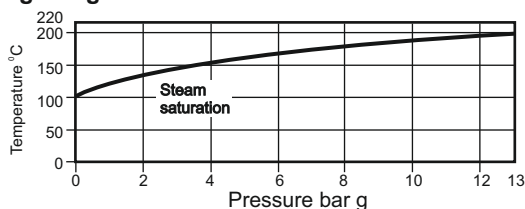
Sizes and Available Types

DN 15, 20 and 25 with SLR, T/V & SLR TV (C)
DN 40 and 50 with SLR & T/V

Limiting Conditions

PMA Maximum allowable pressure	13 bar g at 220 °C
TMA Maximum allowable temperature	220 °C at 13 bar g
PMO Maximum operating pressure	13 bar g
TMO Maximum operating temperature	220 °C at 13 bar g
Minimum operating temperature	0 °C
ΔPMX Maximum differential pressure	
SOFT31-4.5	4.5 bar g
SOFT31-10	10 bar g
SOFT31-13	13 bar g
Cold hydraulic test pressure	19 bar g

Operating Range of SOFT31



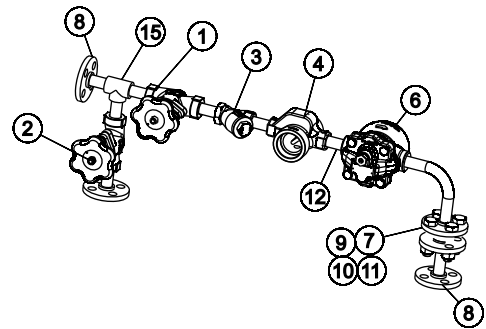
End Connections

Inlet, Outlet & By-Pass with ANSI #150RF Flanges,

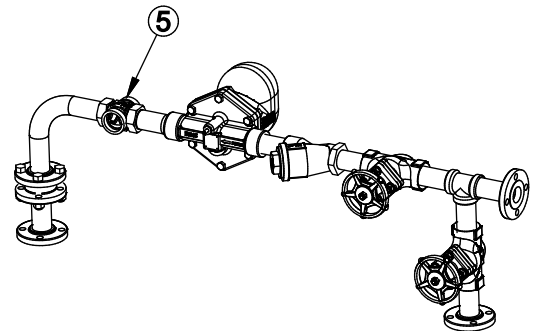
Bill of Material

Sr. No.	Description	Material	Standard
1	Intel Piston Valve, SWE (DN 15-40)	Forged Carbon Steel	ASTM A 105
2	By-Pass Piston Valve, SWE (DN 15-40)	Forged Carbon Steel	ASTM A 105
3	Strainer FMSTR 31	Cast Iron	IS 210 Gr. FG 260
4	View Glass VU30 (DN15-25)	Cast Iron	IS 210 Gr. FG 260
5	View Glass VU10 (DN40-50)	Cast Iron	IS 210 Gr. FG 260
6	Ball Float Steam Trap SOFT31	Cast Iron	IS 210 Gr. FG 260
7	Disc Check Valve FMDCVA	Austenitic Stainless Steel	ASTM A 351 Gr. CF8M
8	Flanges SWE type ANSI#150, ASME B16.5	Carbon Steel	ASTM A 105
9	Spiral Wound Gasket	Graphite+CS Ring	
10	Hex HD Bolt	Carbon Steel	ASTM A 193 Gr. B7
11	Hex Nut	Carbon Steel	ASTM A 194 Gr. 2H
12	Seamless Pipe SCH. 80	Carbon Steel	ASTM A 106
13	Inlet Piston Valve, Flgd. ASA#150 (DN 50)	Carbon Steel	ASTM A 216 Gr. WCB
14	By-Pass Piston Valve Flgd. ASA#150 (DN 50)	Carbon Steel	ASTM A 216 Gr. WCB
15	Equal Tee, SWE, Class 3000	Carbon Steel	ASTM A 105

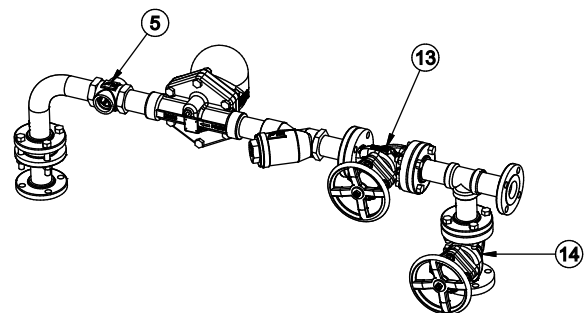
DN 15-25



DN 40

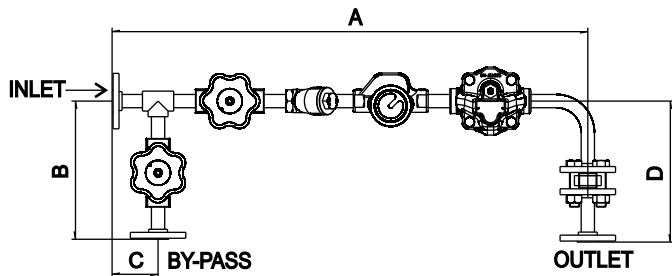


DN 50



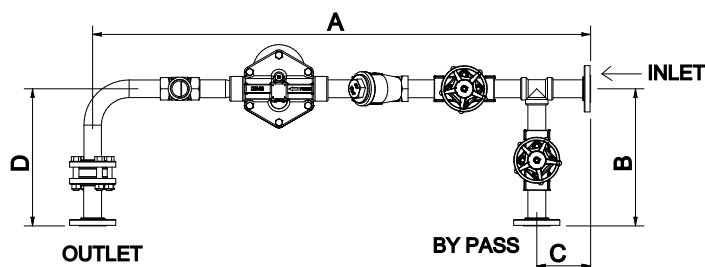
Dimensions (Gen. Tol. $\pm 5.0\text{mm}$)

a) DN 15-25 SOFT31 MODULE WITH VIEW GLASS & DISC CHECK VALVE



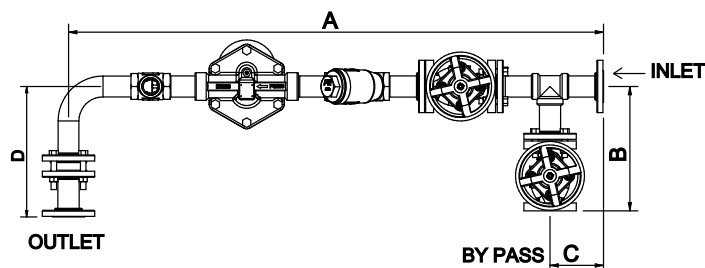
Size DN	A	B	C	D	Weight (Appx)
15	763	222	74	226	17.0 Kg
20	792	218	80	218	19.0 Kg
25	900	276	90.5	276	22.0 Kg

b) DN 40 SOFT31 MODULE WITH VIEW GLASS & DISC CHECK VALVE



Size DN	A	B	C	D	Weight (Appx)
40	1369	377	148	377	40.0 Kg

c) DN 50 SOFT31 MODULE WITH VIEW GLASS & DISC CHECK VALVE



Size DN	A	B	C	D	Weight (Appx)
50	1552	361	155	378	67.0 Kg

Major Products of the Modules

The Forbes Marshall Cast Strainer is available in Cast Iron with stainless steel SS 304 Screen having 0.8mm dia. Perforation. The Forbes Marshall Cast Iron View Glass that allows you to visualize the flow in Trap.

The Forbes Marshall Spring-loaded Disc Check Valve. These check valves are of wafer pattern designed to be sandwiched between flanges available with Metal Seating.

Forbes Marshall Piston Valves provide, perfect tightness and durable stability. In Module we have 1 No. at Inlet line & another in Open By-Pass line.

Inter Connecting Piping :- Pipe : ASTM A 106 SCH. 80,
Tee : SWE Type Class # 3000,
Gasket : Spiral Wound Graphite with CS outer ring,
Fasteners : ASTM A 194 Gr. 2H & A193 Gr. B7,
Flanges : Inlet, Outlet & By-Pass with ANSI 150 MOC
ASTM A 105.

Installation

Float Trap Modules are ready to Install assemblies. The Module should be installed in Horizontal orientation with its bypass & outlet lines running vertically down-wards.

Spares

For details of Spares, please refer to individual TIS / UM of respective product in the Module.

How to Order

DN 15 Single Orifice Float Trap Module Model SOFT31, 4.5 bar g, SLR / TV (C), Flanged to ASA 150, NIBR.



Forbes Marshall
Krohne Marshall
Forbes Marshall Arca
Codel International
Forbes Solar
Forbes Vyncke
Forbes Marshall Steam Systems

Opp 106th Milestone
Bombay Poona Road
Kasarwadi, Pune - 411 034. INDIA
Tel : 91(0)20-27145595, 39858555
Fax : 91(0)20-27147413

Email : seg@forbesmarshall.com, ccmidc@forbesmarshall.com

© All rights reserved. Any reproduction or distribution in part or as a whole without written permission of Forbes Marshall Pvt Ltd, its associate companies or its subsidiaries ("FM Group") is prohibited.

Information, designs or specifications in this document are subject to change without notice. Responsibility for suitability, selection, installation, use, operation or maintenance of the product(s) rests solely with the purchaser and/or user. The contents of this document are presented for informational purposes only. FM Group disclaims liabilities or losses that may be incurred as a consequence of the use of this information.

B-85, Phase II, Chakan Indl Area
Sawardari, Chakan, Tal. Khed
Dist. Pune - 410 501. INDIA
Tel : 91(0)2135-393400

A-34/35, MIDC H Block
Pimpri, Pune - 411 018. INDIA.
Tel : 91(0)20-27442020, 39851199
Fax : 91(0)20-27442040

CIN No.: U28996PN1985PTC037806
www.forbesmarshall.com