

Relisafe™ - HPSF

High Pressure Sample Filter

Introduction

The Forbes Marshall Sample Filter provides a clean sample, free from suspended matter.

Particles of size up to 40 microns are filtered in this unit. The hexagonal cap makes it easy to remove the filter element.

The forged body gives this filter a fresh new look. The new Forbes Marshall filter has been found to be one of the most user-friendly filters available today.

Features

Improved user-friendly design

Remove the cap, take out the element, clean and replace

Ergonomic design

Easy to install

Hex cap ensures better grip



Specifications

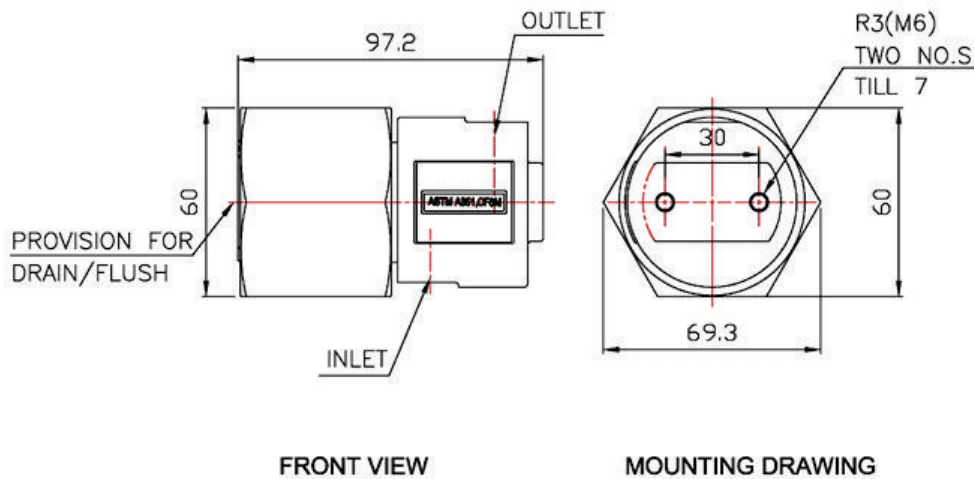
Design Parameters	Description / Value
Design pressure	350 Kg/Cm ²
Pressure difference across the filter	<2 Kg/Cm ²
Design flow rate	100 LPH (max.)
Design temperature	100 Deg C
Material of construction	SS316 housing (body and cover, ASTM 351, CF8M)
End connection type	1/4" NPTF
Micron rating	40 micron

Ordering information

Ordering Codes

Sr. No.	Ordering code	Description
1	RELISAFE_HPSF	Water quality monitoring system, Relisafe high pressure sample filter

Mounting Information



Forbes Marshall
Krohne Marshall
Forbes Marshall Arca
Codel International
Forbes Solar
Forbes Vyncke
Forbes Marshall Steam Systems

Opp 106th Milestone
Bombay Poona Road
Kasarwadi, Pune - 411 034. INDIA
Tel : 91(0)20-27145595, 39858555
Fax : 91(0)20-27147413

Email : swasmktg@forbesmarshall.com, ccmidc@forbesmarshall.com

All contents herein are the property of Forbes Marshall Private Limited ("FMPL") or Forbes Marshall Steam Systems Private Limited ("FMSSPL"), as the case may be, and having protection under the intellectual property rights. Any reproduction, distribution or disclosure without prior written permission is prohibited. Information in this document is subject to change without notice.

B-85, Phase II, Chakan Indl Area
Sawardari, Chakan, Tal. Khed
Dist. Pune - 410 501. INDIA
Tel : 91(0)2135-393400

A-34/35, MIDC H Block
Pimpri, Pune - 411 018. INDIA.
Tel : 91(0)20-27442020, 39851199
Fax : 91(0)20-27442040

CIN No.: U28996PN1985PTC037806
www.forbesmarshall.com