

Syphon (SY)

Pressure gauge syphons are intended to protect the pressure gauge from the effect of hot pressures media such as steam and also to reduce rapid pressure surges.

Condensate of the pressure medium that is collected inside the coiled or U-shaped portion of the syphon prevents direct contact. When first installed, the syphon should be filled with water or any other suitable separating liquid.

Special Features

Variety of process connection

Variety of sizes to suit the application

Different type of selections to suit technical requirements

Industrial Applications

Petroleum industries

Thermal / nuclear / hydro power stations

Iron and steel industries

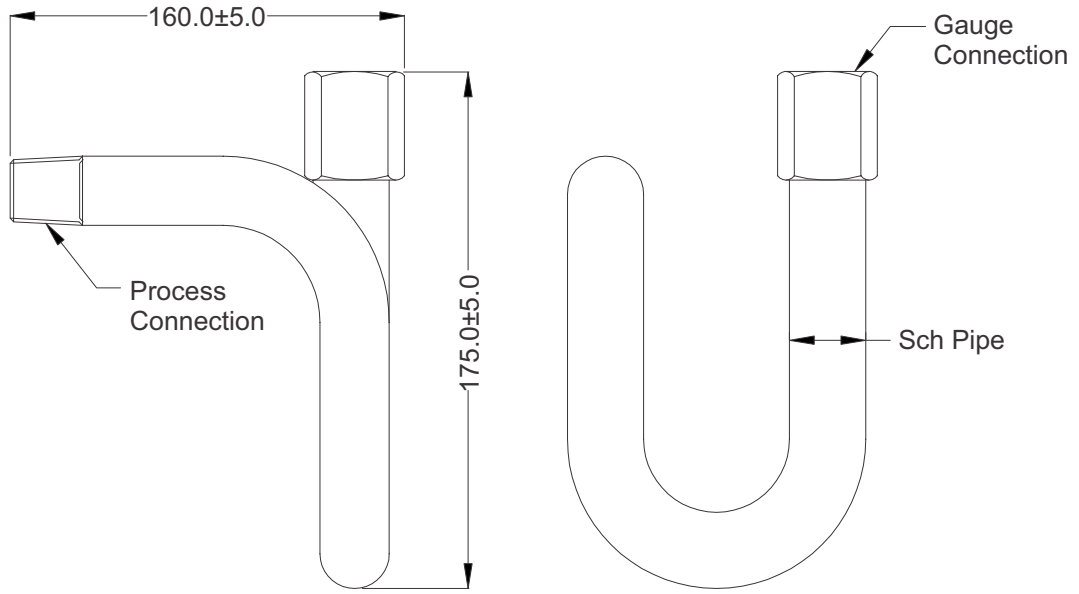
Steam boilers, steam traps etc.

Chemical process industries

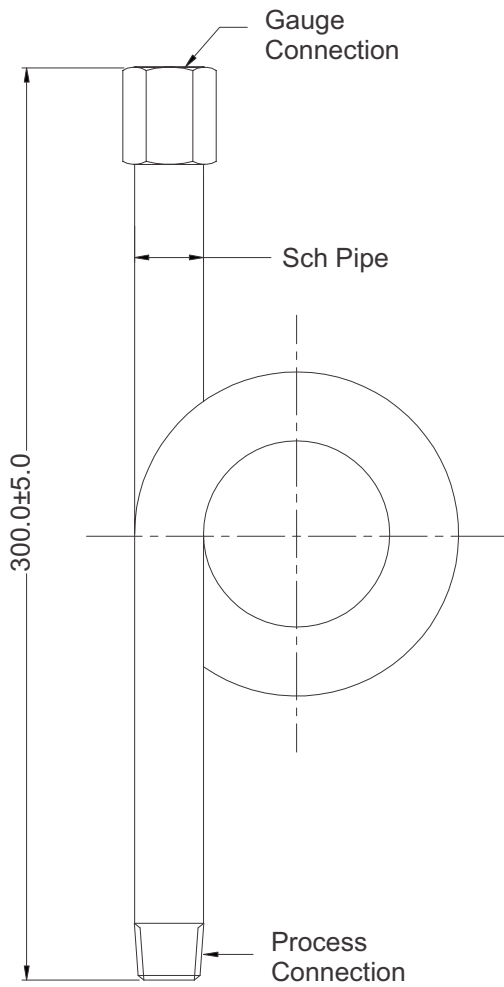


Dimensional Drawings

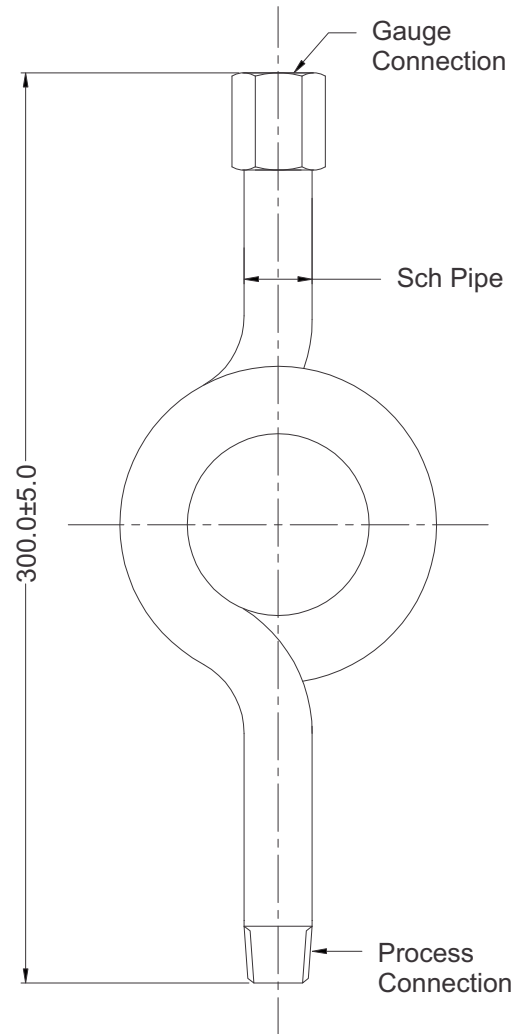
U - Type



C - Type



Q - Type



Ordering Information

SY * * * * * * * *

| Type | |
|--------------------|---|
| Pig tail (Q-type) | P |
| Coil type (C-type) | C |
| U- type | U |

| Instrument Connection Size | |
|----------------------------|---|
| M20 x 1.5P | 1 |
| 1/4" | A |
| 3/8" | B |
| 1/2" | C |
| 3/4" | D |
| 1 1/2" | G |

| Instrument Connection Type | |
|----------------------------|---|
| NPT(M) | A |
| BSP(M) | B |
| BSPT(M) | C |
| NPT(F) | D |
| BSP(F) | E |
| BSPT(F) | F |
| Metric thread(M) | M |
| Metric thread(F) | T |
| Triclover with clamp | X |

| Process Connection Size | |
|-------------------------|---|
| M20 x 1.5P | 1 |
| 1/4" | A |
| 3/8" | B |
| 1/2" | C |
| 3/4" | D |
| Plain | Z |

| Process Connection Type | |
|-------------------------|---|
| NPT(M) | A |
| BSP(M) | B |
| BSPT(M) | C |
| Metric thread(M) | M |
| Plain / Socket weld | Z |

| Tests and Certificates | |
|--------------------------------------|---|
| EN 102043.1 B certificate | E |
| Hydro test | H |
| IBR | I |
| NACE | N |
| Third party inspection | T |
| Not applicable | A |
| Special requirement – please specify | |

| Material of Construction | |
|--------------------------|---|
| SS 316 | I |
| SS 316L | L |
| Carbon steel | R |
| SS 304 | S |

| Schedule | |
|--------------|---|
| Schedule-10 | A |
| Schedule-40 | B |
| Schedule-80 | C |
| Schedule-160 | D |

Ordering example : SYCCDCABSA (standard selection)



Forbes Marshall
Krohne Marshall
Forbes Marshall Arca
Codel International
Forbes Solar
Forbes Vyncke
Forbes Marshall Steam Systems

Plot No. A-19/2 & T-4/2, I.D.A
Nacharam, Hyderabad - 500 076
Tel : +91-40-27179223, 27171909,
27170732
Fax : +91-40-27173235

B-85, Phase II, Chakan Indl Area
Sawardari, Chakan, Tal. Khed
Dist. Pune - 410 501. INDIA
Tel : 91(0)2135-393400

A-34/35, MIDC H Block
Pimpri, Pune - 411 018. INDIA.
Tel : 91(0)20-27442020, 39851199
Fax : 91(0)20-27442040

CIN No.: U28996PN1985PTC037806

Email : sales-gauges@forbesmarshall.com, ccmidc@forbesmarshall.com www.forbesmarshall.com

All contents herein are the property of Forbes Marshall Private Limited ("FMPL") or Forbes Marshall Steam Systems Private Limited ("FMSSPL"), as the case may be, and having protection under the intellectual property rights. Any reproduction, distribution or disclosure without prior written permission is prohibited. Information in this document is subject to change without notice.